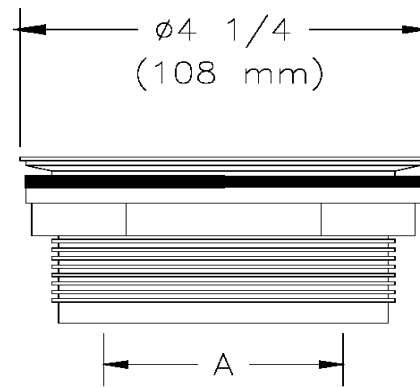


Specifications

DRA101 2" No-Caulk Brass Drain

- Material: Brass drain and stainless steel strainer cover
- Recommended for molded shower stalls where the drain is installed on the shower unit before it is placed.



Product	'A' Connections
DRA101	2"[50mm] Brass Push-On

