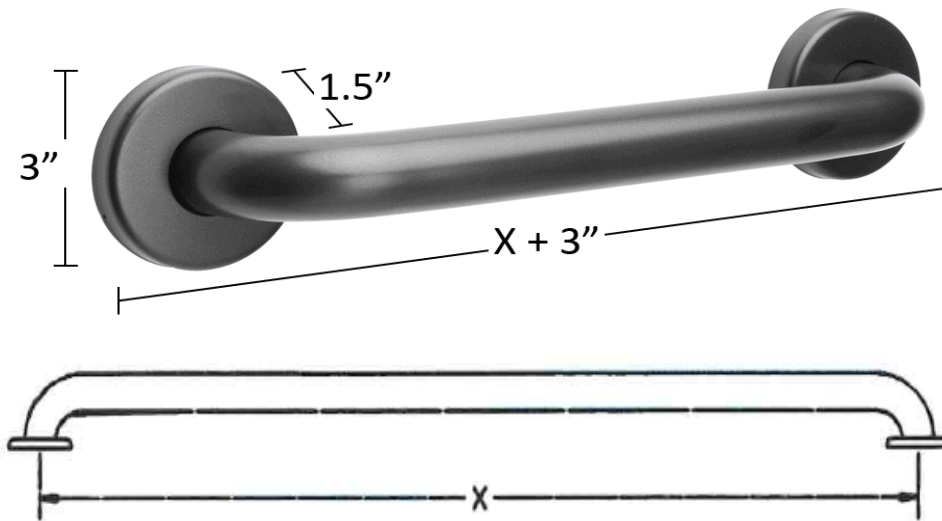
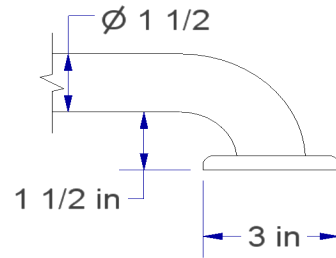


## 1.50" Stainless Steel Straight Grab Bar with Twist-Lock Concealed Flange

- Material: 304 stainless steel
- Available Finishes:
  - Satin (SA)
  - Polished Chrome (PO)
  - Satin Peened (PN)
  - Oil Rub Bronze (OB)
  - Powder White (PW)
  - Matte Black (MB)
- Dimensions:
  - Length = X (flange center to center): table below
  - Tube diameter: 1.50" (outside)
  - Tube walls: 18 gauge (1.2 mm)
- Flange cover: 14 gauge, conceals mount plate and screws with easy twist into locked position
- ADA Compliant



Size (length) (X)	Product Numbers
12"	BAR-SB12-TW-150-XX
16"	BAR-SB16-TW-150-XX
18"	BAR-SB18-TW-150-XX
22"	BAR-SB22-TW-150-XX
24"	BAR-SB24-TW-150-XX
25"	BAR-SB25-TW-150-XX
27"	BAR-SB27-TW-150-XX
30"	BAR-SB30-TW-150-XX
32"	BAR-SB32-TW-150-XX
36"	BAR-SB36-TW-150-XX
38"	BAR-SB38-TW-150-XX
42"	BAR-SB42-TW-150-XX
48"	BAR-SB48-TW-150-XX

## IMPORTANT INSTRUCTIONS

**SAFETY NOTE:** Concealed In-Wall support backing is ALWAYS REQUIRED for this product (not included) – and must be supplied and selected by a licensed installer/contractor to meet both weight bearing and local code requirements.

**PRODUCT INSTALLATION SHOULD BE DONE BY A LICENSED INSTALLER/CONTRACTOR.**

**CAUTION:** Personal injury and/or property damage may result from improper wall support or mounting, which is not covered under warranty.

IT IS ESSENTIAL TO MARK THE CENTERLINE DISTANCE BETWEEN THE TWO MOUNTING FLANGE PLATES AS WELL AS THE DISTANCE FROM CENTER OF EACH MOUNTING PLATE TO THE FINISH FLOOR TO ASSURE PROPER ALIGNMENT.

### **INSTALLATION STEPS:**

1. Confirm contents of box: Grab bar and 6 screws, which are stainless steel with Phillips head.
2. Tools & supplies needed: Phillips screw driver or 3" drill bit extender, pencil, drill, and silicone caulk.
3. Carefully consider the mounting location before installation: Install only where proper structure is provided behind the wall. Measure area of the grab bar and avoid pipes, wires, grout, etc.
4. Use the mounting flanges as a template, mark the center of screw hole locations.
5. Drill mounting holes.
6. **IMPORTANT:** MUST HAVE PROPER, CONCEALED, IN-WALL BACKING INSTALLED BY A LICENSED INSTALLATION PROFESSIONAL.
7. On the backside of each flange, where it will touch the wall, apply a bead of silicone caulk around each screw hole.
8. Install the bar with the manufacturer's provided screws. After installing the bar, inspect each screw to ensure it is tight, straight and flush with the flange.  
**WARNING:** Avoid damage to wall, tile, or fasteners by not over-tightening screws.
9. Twist the flange cover onto mounting flange plates.