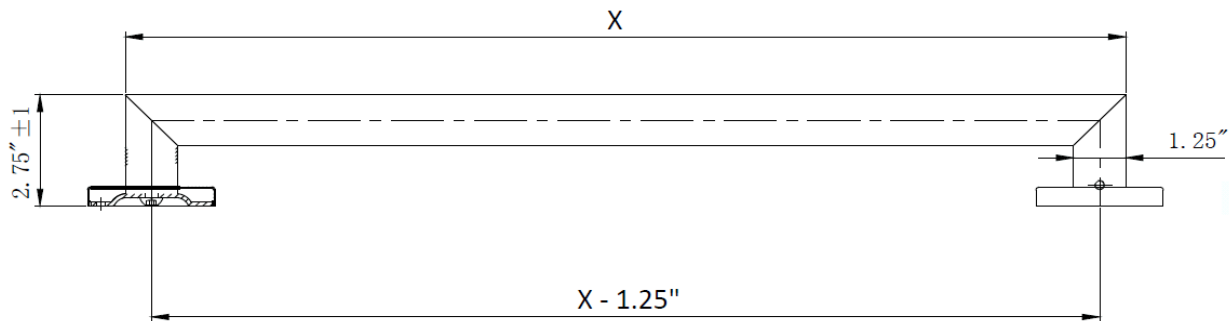


## Modern Style Straight Grab Bar

- Material: 304 stainless steel
- Available Finish: Polished
- Dimensions:
  - Length (flange center to center): see table
  - Tube outside diameter: 1.25"
  - Tube walls: 18 gauge (1.2 mm)
- Flange cover: 14 gauge cover rotates into locked position to conceal flange mount plate and screws
- ADA Compliant



Size (length)	Product Numbers
12"	BAR-MODERN12
16"	BAR-MODERN16
18"	BAR-MODERN18
24"	BAR-MODERN24
30"	BAR-MODERN30
32"	BAR-MODERN32
36"	BAR-MODERN36
42"	BAR-MODERN42
48"	BAR-MODERN48

## IMPORTANT INSTRUCTIONS

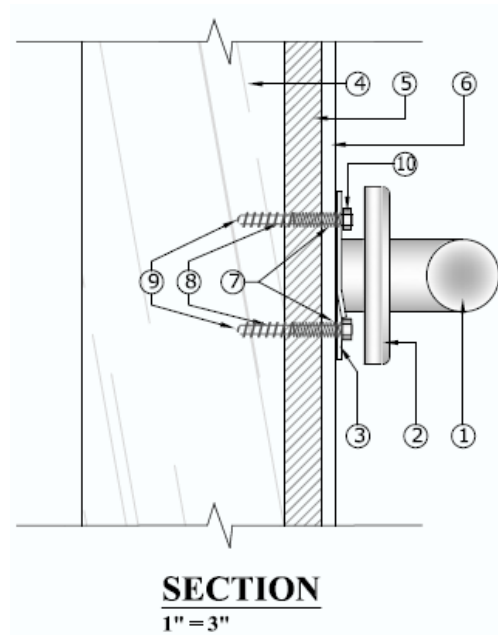
**SAFETY NOTE:** Concealed In-Wall support backing is **ALWAYS REQUIRED** for this product (not included) – and must be supplied and selected by a licensed installer/contractor to meet both weight bearing and local code requirements.

**PRODUCT INSTALLATION SHOULD BE DONE BY A LICENSED INSTALLER/CONTRACTOR.**

**CAUTION:** Personal injury and/or property damage may result from improper wall support or mounting, which is not covered under warranty.

### Installation Notes:

1. Bar as Selected
2. Flange Cover Plate
3. Flange
4. Stud
5. Drywall
6. Tile (if applicable)
7. 1/4" (6mm) Diameter Hole – **TILE ONLY**
8. 1/8" (3mm) Diameter Pilot Hole into Stud
9. 10/24" x 2" Threaded Stainless Steel Hanger Bolt
10. Threaded Stainless Steel Bolt Nut



### Installation Steps:

1. Read ALL safety warnings before installing the grab bar.
2. Locate wall stud or previously installed backer board.
3. Use the flange plates to mark the mounting hole locations. (We recommend using a level to achieve perfect horizontal or vertical mounting.)
4. Drill 1/8" (3mm) diameter pilot hole into stud.
  - a. If wall is tiled, drill through the tile with a 1/4" (6mm) diameter masonry drill bit.
5. Drive hanger bolt directly into stud using hanger bolt driver leaving 1/4" of thread exposed.
6. Place Flange over exposed hanger bolt.
7. Screw bolt nut onto hanger bolt.
8. After flange is secured, apply bead of clear sealant around bottom rim of flange cover plate and carefully align the cover plate locking tabs with the slots in the flange.
9. Turn the flange cover plate 15 degrees clockwise to secure.