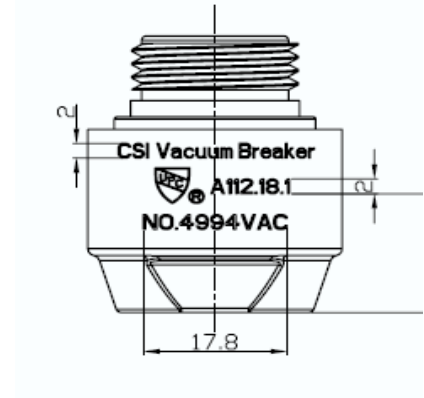


4993 Series Vacuum Breaker

- Material: Brass - With Brass Thread
- Finish: Chrome Plate
- Rubber Gasket



Specifications



16.2