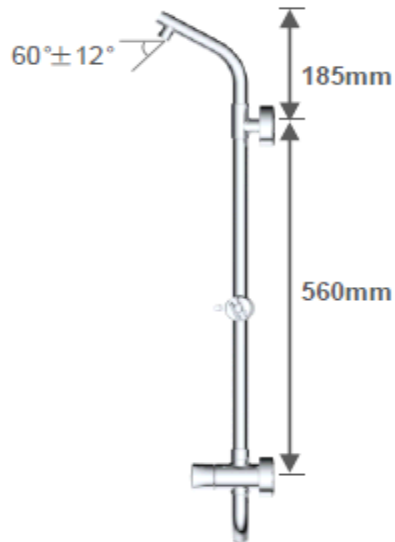
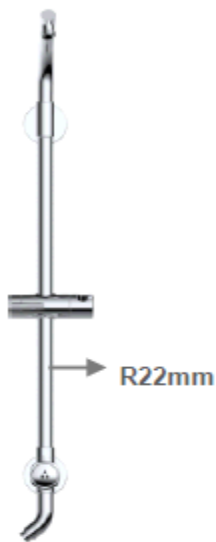
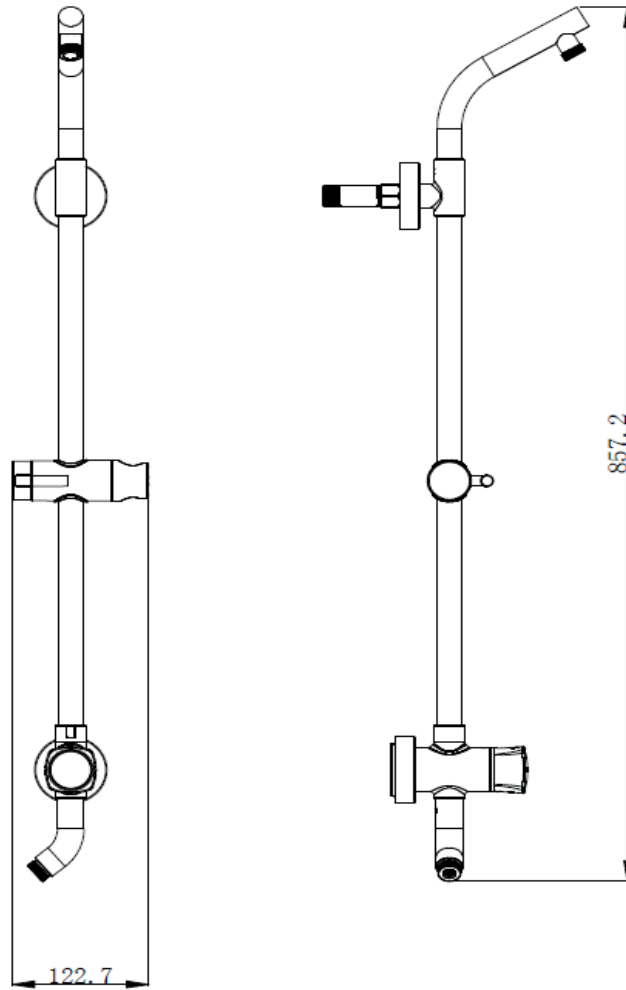
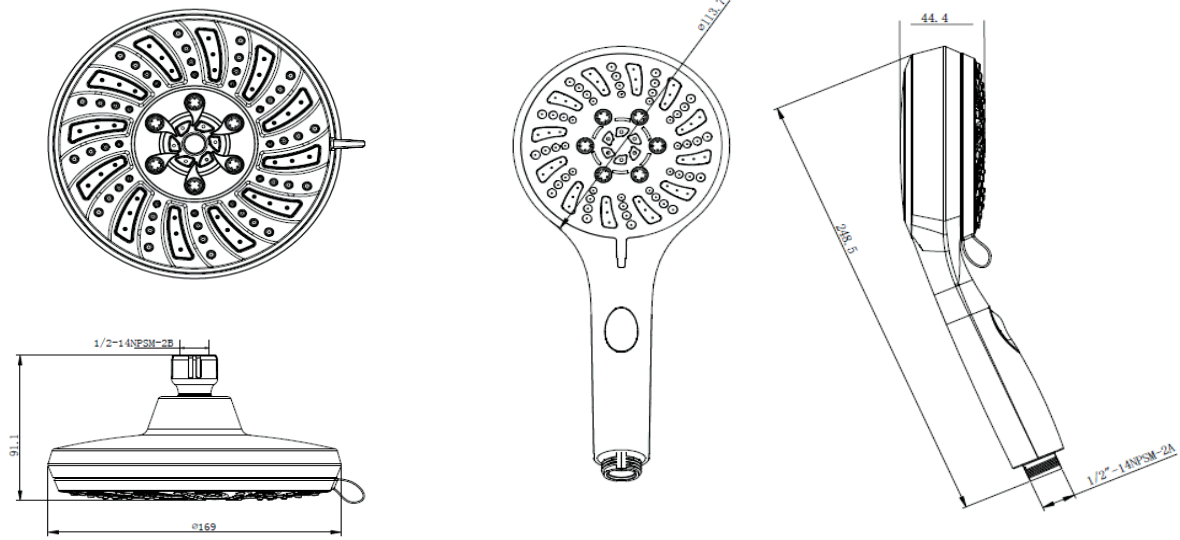


SPA-812201 RETROFIT SHOWER SYSTEM

- Material: 304 stainless steel
- Available Finishes: Polished Chrome (PO)
Oil Rub Bronze (OB)
- Dimensions:
 - Length : 30" (745 mm)
 - Tube diameter: 1" (outside) (22 mm)
 - Tube walls: 18 gauge (1.2 mm)
 - Shower Hose: 60"
- Upper Arm Rotates
- Easy Slider to hold Handheld
- 5 function Overhead and Handheld shower
- Turn knob and push button 3 way diverter

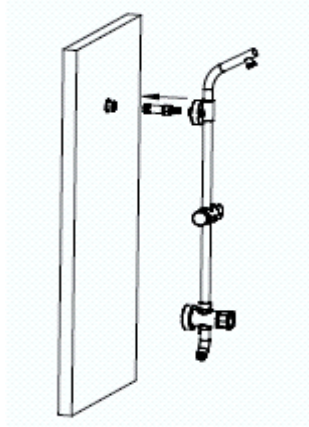




IMPORTANT INSTRUCTIONS

INSTALLATION STEPS:

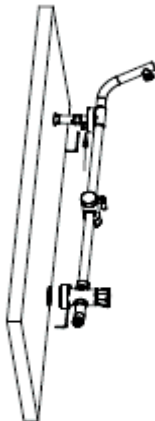
1. Connect the brass connector to the water outlet and tighten.



2. Align the top mount of slide bar with the connector and press it firmly until the escutcheon (flange cover) is flush with the wall.

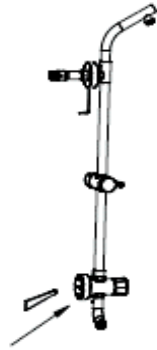


3. Fix the slide bar kit with the brass connector by locking the set screw.

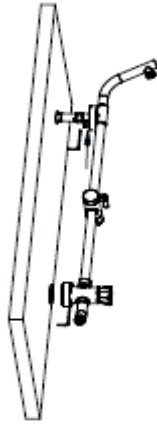


4. Select your desired option for drill free installation -- provided glue or 3M tape.

5. Mark the desired location of the diverter knob and pull the shower system slightly away from the wall to apply glue or 3M tape.



6. Align the lower mount of slide bar with the applied glue or tape, then press firmly until the escutcheon (flange cover) is flush with the wall. Secure by locking the set screw.



7. Attach the shower head to the upper shower arm.

8. Attach the shower hose to the lower arm, below the diverter knob and the other end to the handheld shower.

9. Insert the handheld shower into the slider. Using the easy slider lever, adjust the handheld shower to the desired height.

